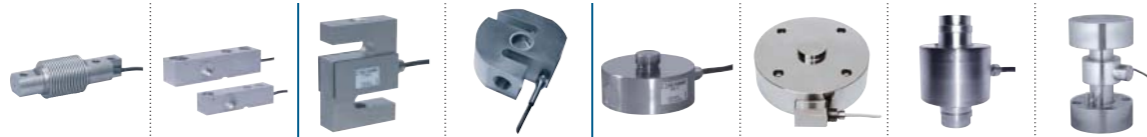


LOAD CELLS



* C6 on request

Model	F60X	SK30X	ZFA	ZA30X	R10X	RH10X	CB50X	CA40X
Type	Bending beam		Tension		Compression			
Rated load capacity (C.N.)	5 kg ... 5 t	300 kg ... 5 t	25 kg ... 5 t	0.5 t ... 7.5 t	1 t ... 100 t	100 t ... 1 000 t	5 t ... 60 t	100 t ... 200 t
Accuracy class	C3*	C3*	-	C3	-	-	C4	-
Combined error (% C.N.)	0.017	0.017	0.03	0.017	0.1	0.2	0.013	0.024
Construction	Stainless steel	Stainless steel	Nickel plated steel	Stainless steel	Stainless steel	Stainless steel	Stainless steel	Stainless steel
Protection	Sealed, IP68	Sealed, IP68	Coated, IP65	Sealed, IP68	Sealed, IP68	Sealed, IP68	Sealed, IP68	Sealed, IP68
Certifications	OIML, ATEX, FM, IECEx	OIML, NTEP, ATEX, FM, IECEx	-	OIML, ATEX, IECEx	ATEX, FM, IECEx	ATEX, IECEx	OIML, ATEX, FM, IECEx	ATEX, FM, IECEx

ELECTRONICS



● : Standard
○ : Optional

Model	CPJ	eNod4	eNod3	PAX-S	IPE50 D/P	IPC20	IPC50
Type	Weighing transmitters			Weighing indicators			
Accuracy class	0.05 %	0.005 %	OIML 6 000 d	0.02 %	OIML 10 000 d	OIML 10 000 d	OIML 10 000 d
Internal resolution	-	24 bits	24 bits	16 bits	24 bits	24 bits	24 bits
Formatted resolution	-	±500 000 pts	±500 000 pts	100 000 pts	200 000 pts	200 000 pts	200 000 pts
Max. measuring speed	-	6.25 ... 1 600 meas./s.	6.25 ... 1 600 meas./s.	20 meas./s.	200 meas./s.	200 meas./s.	100 meas./s.
Logic Input (I) / Output (O)	○ / 2○	○ / ● / 4I / 4O	● / ● / 2I / 4O	● / ○ / 2I / 2O	● / ○ / 2I - 2O / 6O	- / -	○ / 2I / 2O
Analog output	●	○	-	○	○	-	○
Communication	-	USB/RS485/ CANbus / Ethernet	RS232/RS485/ CANbus	RS232/RS485	RS232/RS485	RS232/RS485	RS232/RS485
Construction	ABS Box	DIN Rail Box	Aluminum box	ABS Panel	ABS Panel	ABS Box	ABS Box
Protocols	-	Modbus Profibus-DP CANopen® Ethernet/IP Profinet, EtherCAT	Modbus CANopen®	Modbus Profibus-DP	Modbus Profibus ASCII	ASCII	ASCII
Protections	-	-	IP67	IP65 front panel	IP65 front panel	IP54/IP68	IP65 front panel
Display	-	Touchscreen option	-	LED 14 mm	LED 9 / 18 mm	LCD 25 mm	LCD 25 mm



Headquarter: Technosite Altéa - 294, Rue Georges Charpak - 74100 JUVIGNY - FRANCE
 SCAIME SAS - 294, RUE GEORGES CHARPAK - CS 50501 - 74105 ANNEMASSE CEDEX - FRANCE
 Tél. : +33 (0)4 50 87 78 64 - Fax : +33 (0)4 50 87 78 46 - info@scaime.com - www.scaime.com
 Download all our documents on our website



Tank and silo weighing

Vessel Weighing, Level Control



FA-TANK_WEIGHTING-E-0516 - SCAIME - SIREN 389 325 283 - R.C.S. THONON LES BAINS - SIRET 389 325 283 00015 - SCAIME se réserve le droit d'apporter toutes modifications sans avis préalable



Your process under control...

Reliability and safety are the most important factors to be taken into account when it comes to installing tank or silo weighing system. Scaime has designed solutions to meet these requirements in all circumstances.

WEIGHING SOLUTION

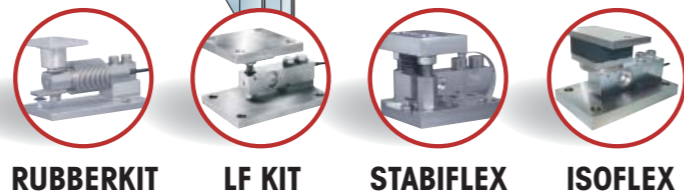
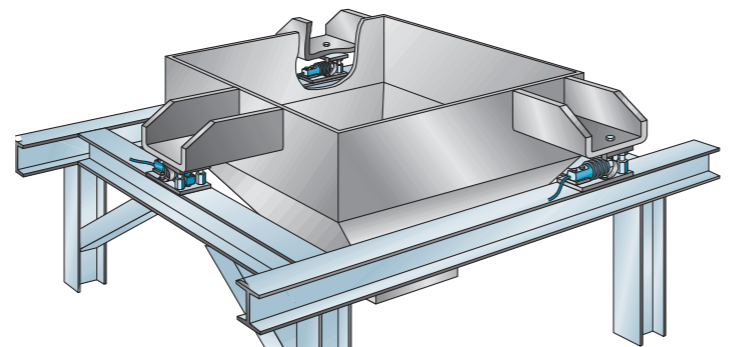
Load cells:

To fulfil each of your needs, our load cells cover a wide range of measuring capacities and are offered with different levels of protection and accuracy classes.

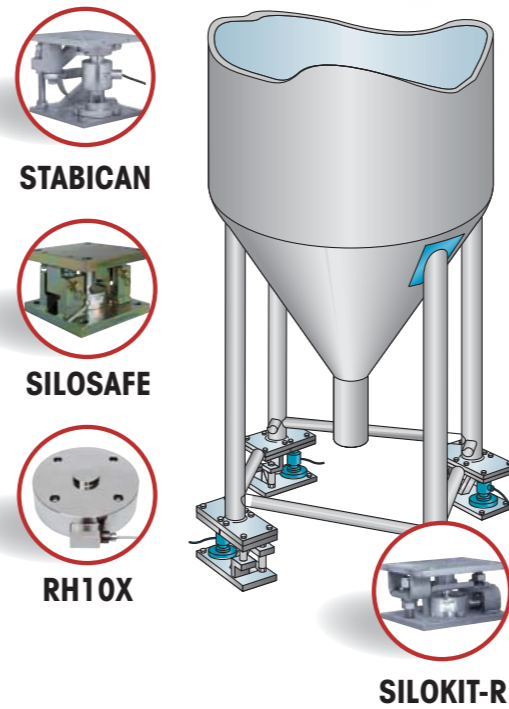
Mounting kits:

In order to restrict the influence of the environment on the performance of your measuring chain, we offer a wide range of accessories and mounting kits, suited to each application.

Hopper and blender weighing:

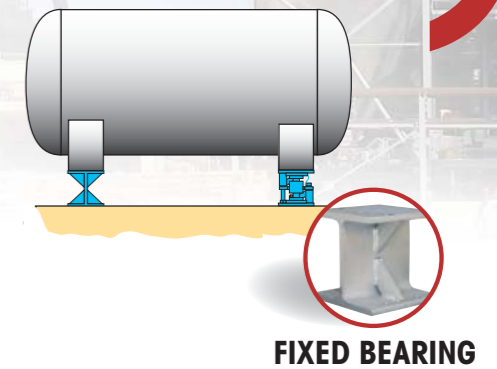


Tank and silo weighing:



Horizontal tank weighing...

For level measurement of a lesser accuracy in tanks filled with liquids, it is possible to replace 2 of the 4 load cells with fixed bearings.



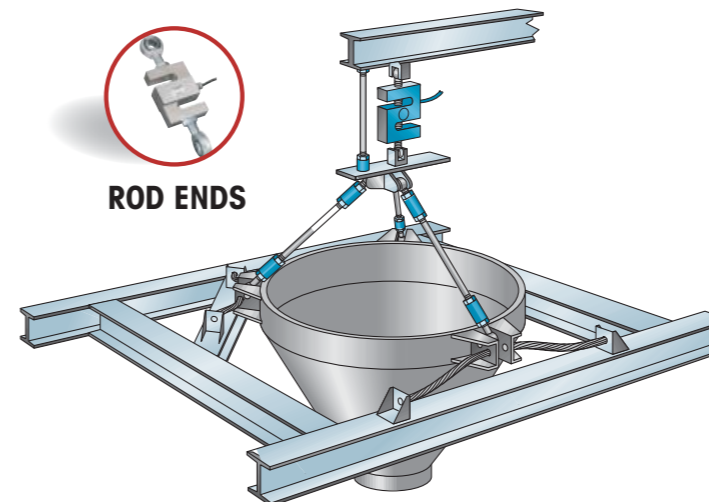
Measuring chain:

Scaime offers all of the elements allowing a weighing system, adapted to your needs, to be built.

For a better integration into industrial environments, we offer:

- solutions for weighing in potentially explosive atmospheres.
- standardized interfaces to the main automation systems (CANopen®, Modbus-RTU, Modbus-TCP, Profibus-DP, EtherNet/IP et Profinet...)

Hanging hopper weighing:



	Mounting kits	for	5 kg	50 kg	500 kg	5 t	50 t	500 t	
	RUBBERKIT	F60X	 200 kg					Compression mounting kit Elastomer compensating for misalignments
	ISOFLEX	SK30X SK30A		300 kg 5 t					Compression mounting kit Vibration damping elastomer
	LF KIT	SK30X SK30A S10A		300 kg 5 t					Compression mounting kit Easy to install Side stoppers and lift-off prevention
	STABIFLEX	F60X SK30X SK30A	 5 t					Compression mounting kit Builtin side stoppers and lift-off prevention High precision ball and cup de-coupling
	SILOKIT-R	R10X			1 t 30 t				Compression mounting kit Builtin lift-off prevention and jack screw Side stabilization prevention
	SILOSAFE	R10X RH10X			1 t 100 t		300 t 750 t		Compression mounting kit Builtin lift-off prevention device and Rod end ball Side stabilization of very high capacity
	STABICAN	CB50X CA40X				5 t 200 t			Compression mounting kit Rod end ball side stabilization Builtin lift-off prevention device
	CUPS	RH10X					100 t 1 000 t		High capacity load cell Compression mounting cups
	ROD ENDS	ZF ZA30X	25 kg 7.5 t						Rod end ball joint kit Hanging hopper weighing



ATEX / IECEx Certificats: **ATEX** **IECEx**
 You will benefit from SCAIME expertise in the field of measurement in potentially explosive atmosphere, a flexible solutions for any Atex or IECEx complying weighing installation.

